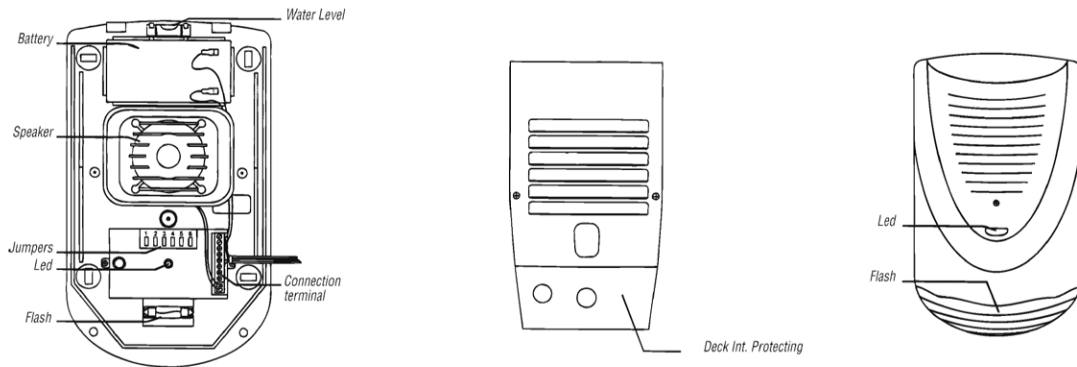


RECOMMENDATIONS FOR THE INSTALLATION

To optimize the siren's yield, it should be avoided to carry out wired very extensive, since the same one generates a fall of tension which produces a loss of power. For a maximum yield, the longitude of the cable should not overcome the 15 meters.



ATE20051113



INSTALLATION

The installation should be carried out with the positive terminal of the disconnected siren's internal battery. Once connected the cables of TRIGGER, and TAMPER, the siren should be energized through the tension that supplies the battery of the control panel. Finally, the positive terminal of the siren's internal battery should be connected.

Features	Siren's tone	Flash	multifunction LED	Battery 12V-1.3Ah	Piezoelectric	Dynamic	Water Level	Power Supply
EAS-400A	6	Yes	Yes	Optional	-	Yes	Yes	12 VCC

Features	Sound Level	Stand By Current	Working Current	Dimensions	Weight(Kg.)	Working Frequency	Tamper Switch
EAS-400A	118 dB	3 mA	1.4 A	280x170x97	1.2	0.5-3 KHz	N.C

TERMINALS OF CONNECTION

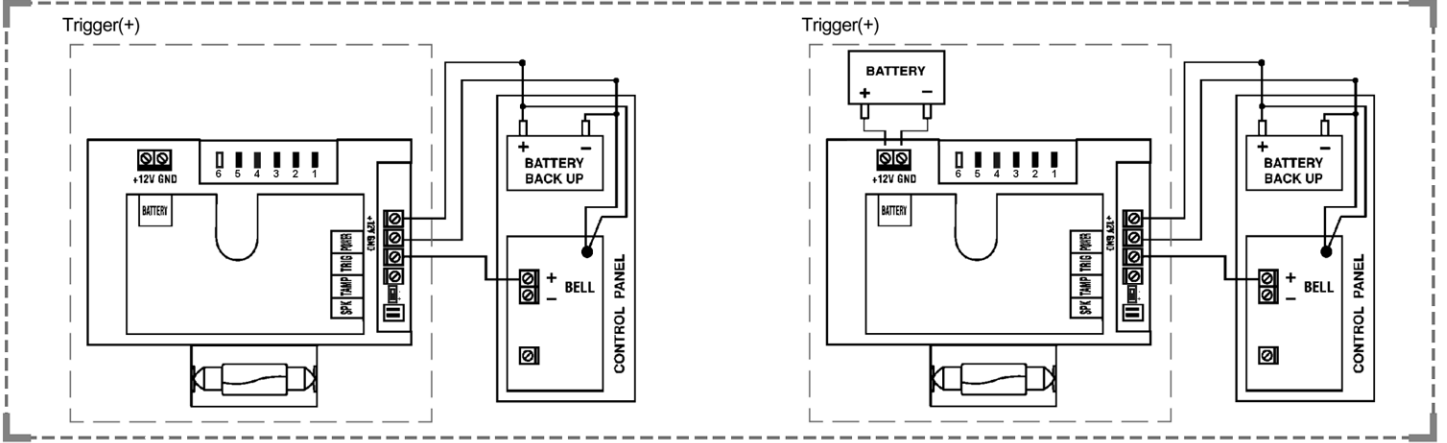
Terminals: POWER These two terminals are those that supply feeding to the siren. This feeding should take of the battery of the control panel.
Terminals: TRIGGER By means of this input the trigger of the siren is controlled. The same one should be connected to the BELL OUTPUT of the panel control. If the Bell Output of the control panel supply + 12 vcc, the terminal trigger should be connected the positive terminal of Bell.
Terminals: TAMPER This output is N.C.
Terminals: LED is multifunction one is twinkle and light frequently. Its control key is to turn the switch of 6th of yard switch .

NOTOS

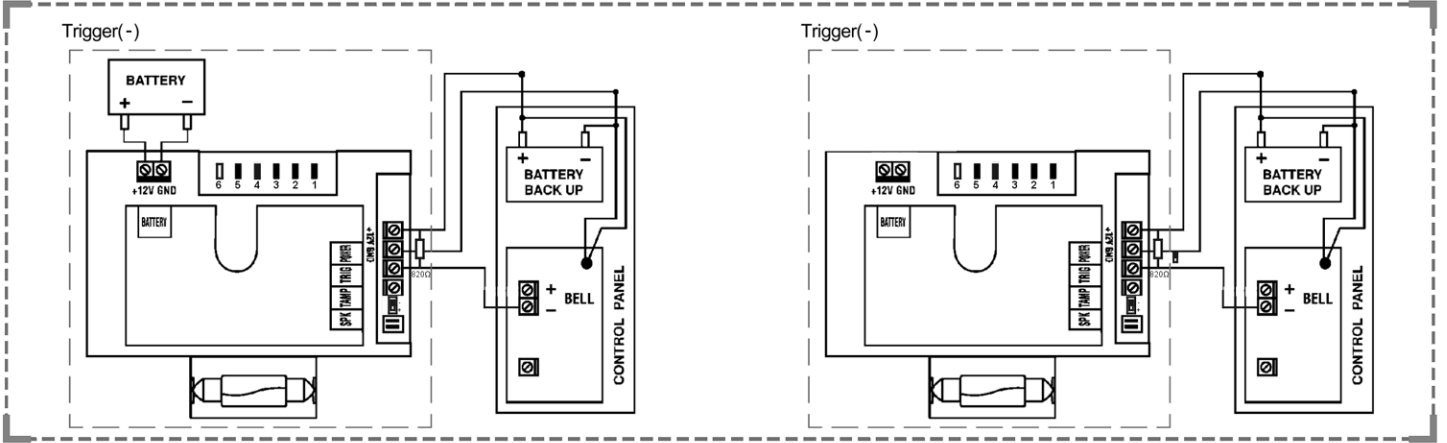
- I. If any of line is broken or Magnetic Contact, PIR sensor gets Signal, Siren will make sound.
- II. Our Standard Central Panel 728(Paradox).
- III. If you have different control panel, Please check your manual of Control panel.

Distri buted by:

CONNECTION 1



CONNECTION 2



Distri buted by: